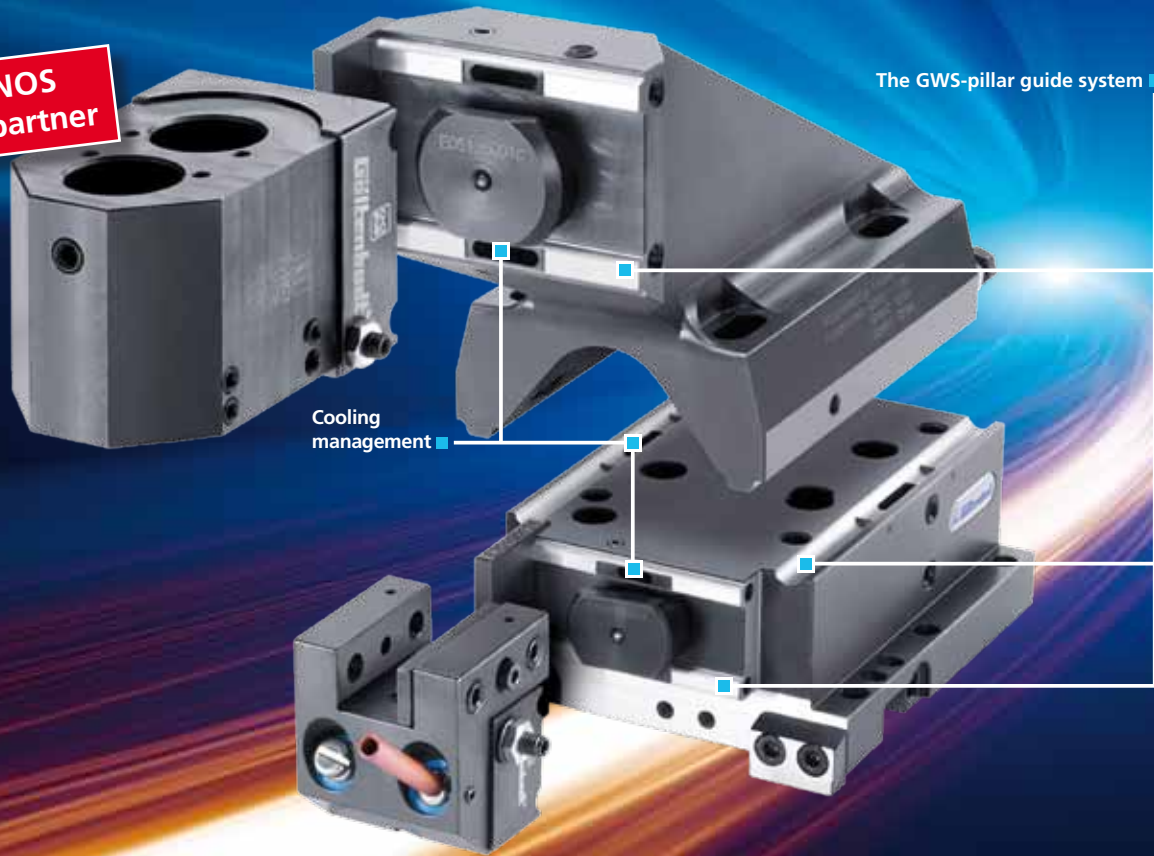




GWS tooling system for TORNOS MultiSwiss 6x14

Official TORNOS
technology partner



THE TECHNOLOGY PARTNERSHIP THAT CREATES REAL ADDED VALUE!

TORNOS MultiSwiss is a new line of products that bridges the gap between single-spindle and multispindle lathes. MultiSwiss is equipped with 6 sliding headstock spindles that use torque motor technology for barrel indexing. Its ultra-high speed makes it possible to achieve near cam driven multispindle cycle times.

Based on the tried and tested GWS-pillar guide system with integrated coolant management, the range of GWS-tool holders for the MultiSwiss offers variable or 0-point positioning with optimal precision, repeatability and flexibility. These tool holders are the product of a collaboration between Tornos and Göltzenbodt, to make the most of the expertise of each company.

- Positioning – Variable or 0-point
- Highest repeatability
- Maximum flexibility
- Standard GWS-tool holder for use on a variety of machines
- Variable coolant management for choosing high or low coolant pressure

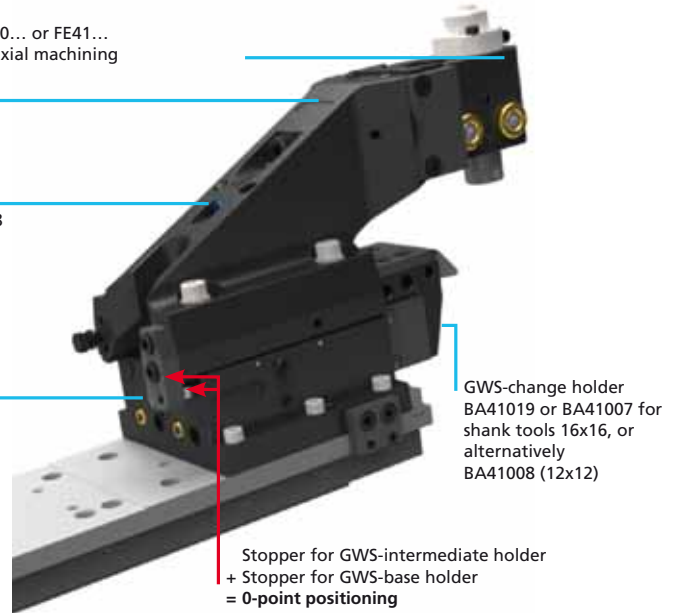
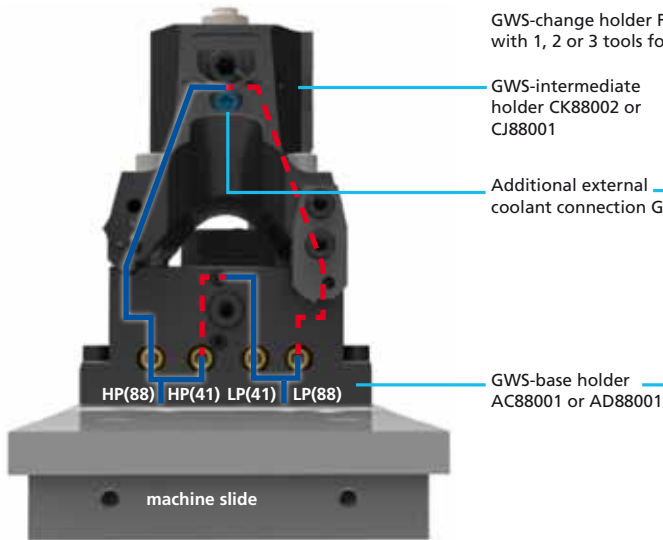


Precision and Efficiency on the Entire Line:

GWS-Options!

With the versatile and varied options offered by the GWS-tooling system, efficiency and application-specific precision can increase even further.

Use the potentials that the technology partnership of TORNOS and Göltzenbott offers you.



Setting for HP (high pressure) or LP (low pressure):

HP(41) closed - for GWS41-Interface e.g. BA41019

HP(88) open - for GWS88-Interface e.g. CK88002 or CJ88001

LP(41) open - for GWS41-Interface e.g. BA41019

LP(88) closed - for GWS88-Interface e.g. CK88002 or CJ88001



GWS-tool holder for shank tools 16x16 for turning operations



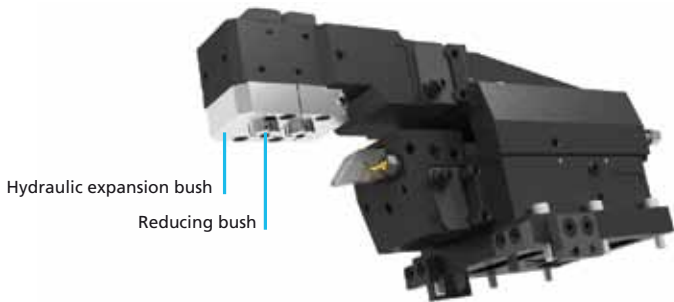
GWS-tool holder for 2 shank tools 16x16 for turning operations



GWS-tool holder for turning operations and axial machining for max. 2 tools (with e.g. ESX-16 centre sleeve)



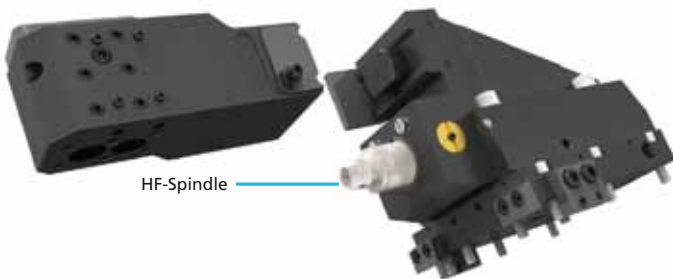
GWS-tool holder for turning operations and **process-optimised** axial machining for up to 3 tools – tools directly clamped



GWS-tool holder for turning operations and **process-optimised** axial machining with 2x GWS-hydraulic expansion bushes \varnothing 12mm for highest precision



GWS-tool holder for use of 2 shank tools 16x16 (positioning to each other in the centre height) for turning operations



GWS-tool holder for HF-spindle (\varnothing 25 or 30mm) with GWS41-Interface for additional axial machining with fixed tools (optional)



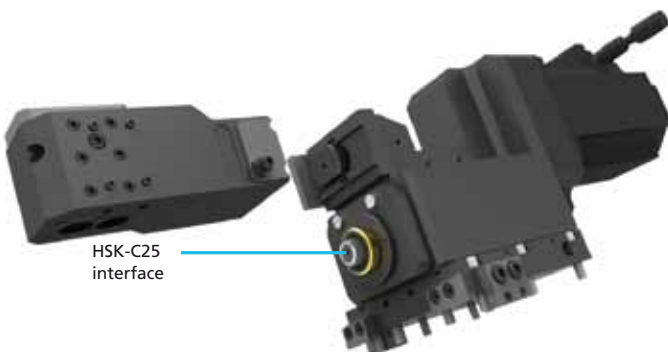
GWS-tool holder for cutting off operations for ISCAR adapter or shank tool 12x12



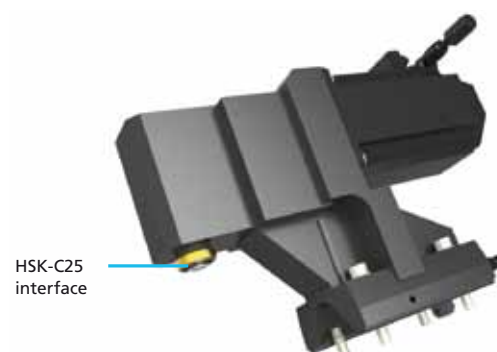
GWS-tool holder for counter spindle machining, turning and axial machining with up to 3 tools



GWS-tool holder for counter spindle machining for angular HF-spindle (\varnothing 25 or 30mm) and interface for 1 tool with shank \varnothing 5mm

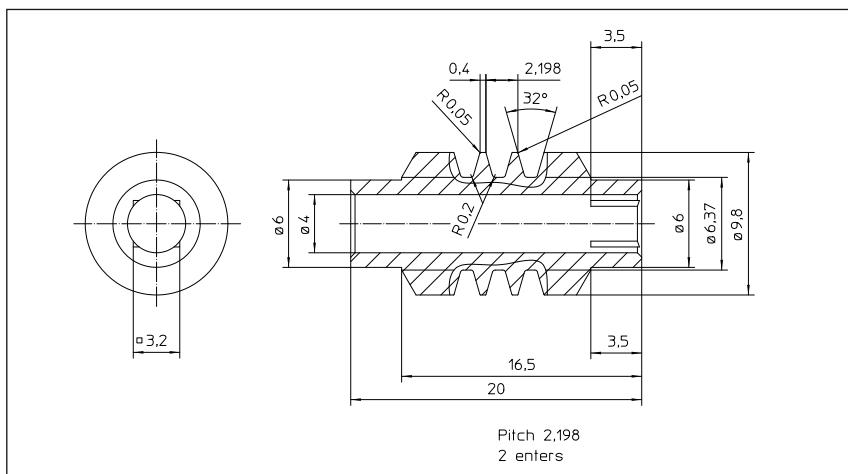
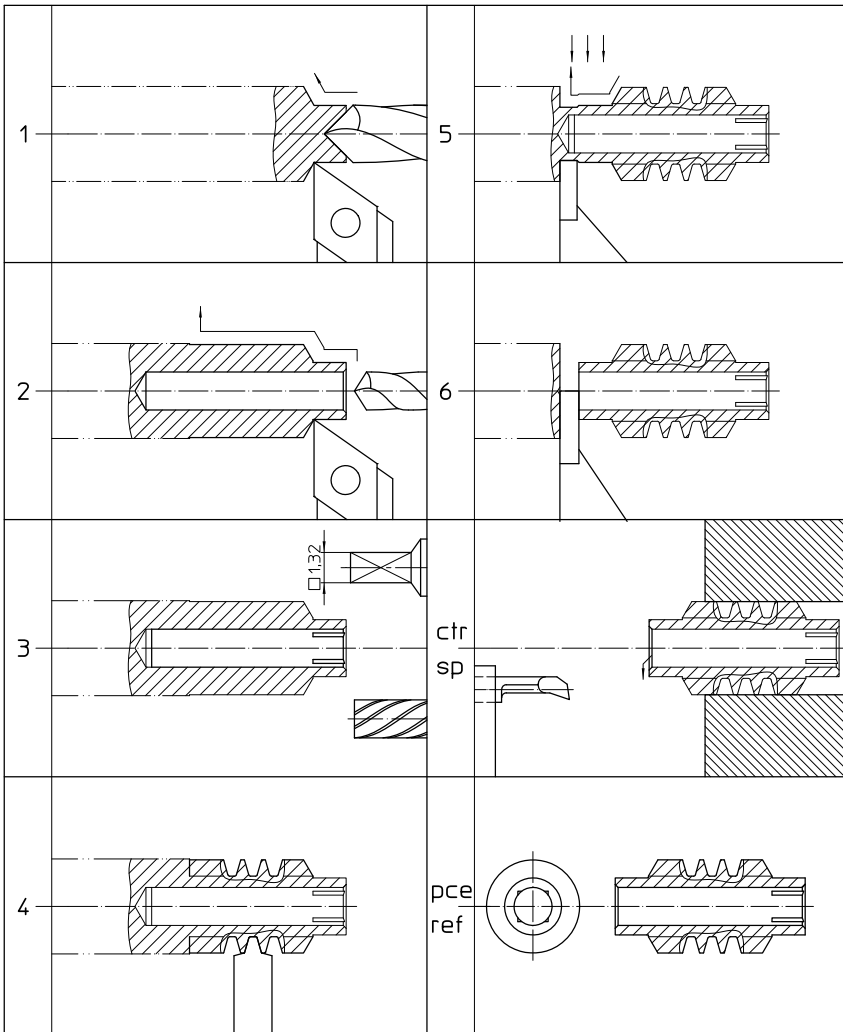


GWS-cross drilling unit $i=1:2$; max. 8,0001/min – 4.4Nm; with GWS41-Interface for additional axial machining with fixed tools (optional)



GWS-axial drilling and milling unit $i=1:2$; max. 8,0001/min – 4.4Nm

Machining on TORNOS MultiSwiss 6x14 with GWS tool holders!



Machine Highlights:

- Rapid barrel indexing made possible by the torque motor.
- Ultra dynamic synchronous spindle drives.
- Thermal regulation of the entire machine.
- Sliding headstock spindles with hydrostatic bushings.
- 14 linear axes, 7 C-axes.
- "Plug & play" system for attachments.
- "One piece machine" design, with barfeeder, oil tank and filtration.
- Reduced floor space.
- Front access for easy access to tools during set up.

Cycle time: 14 sec

